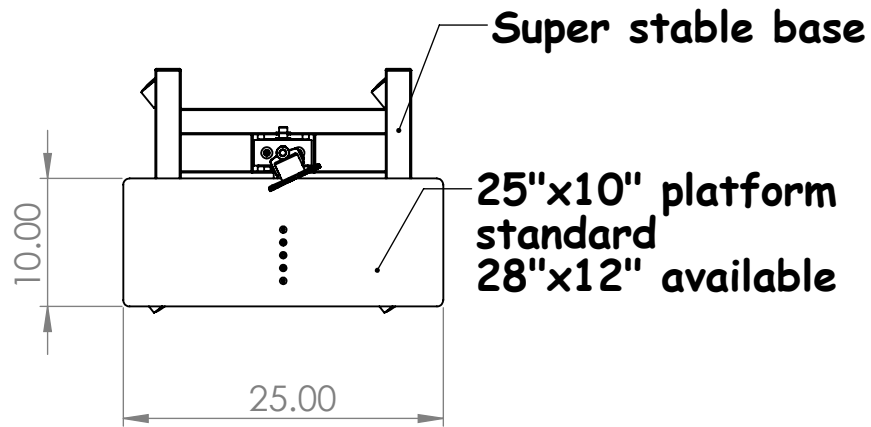


DAW1X Dimensions and Features



There are several options available for DAW1X workstation stands, they include:
Larger platforms
2nd platforms
Platform with 6RU 19" rack rails

Dual pattern 100mm x 100mm
and 75mm x 75mm

