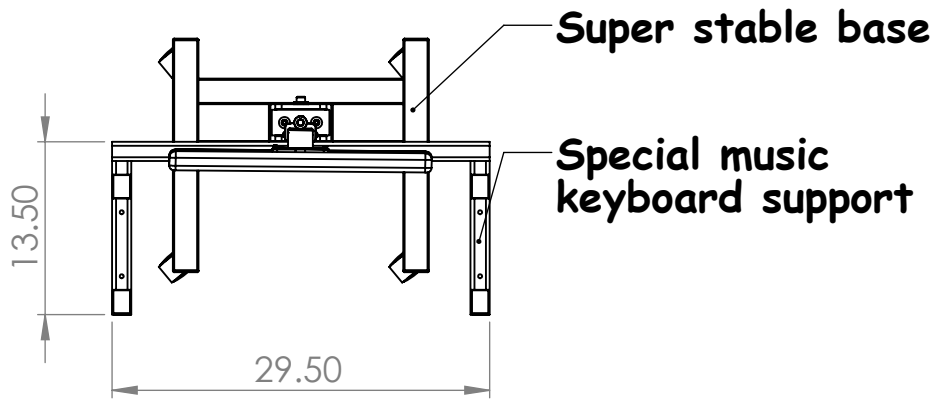


# DAW Composer Dimensions and Features



There are several options available for DAW Composer workstation stands, they include:  
Larger platforms  
2nd platforms  
Platform with 6RU 19" rack rails

