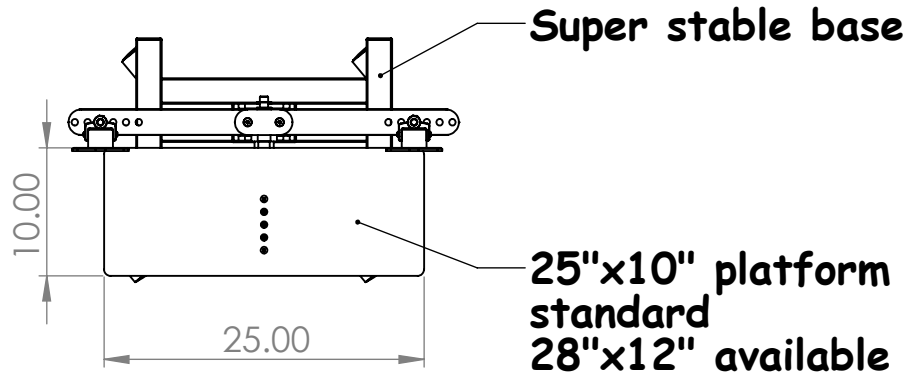


DAW2X Dimensions and Features



There are several options available for DAW2X workstation stands, they include:
Larger platforms
2nd platforms
Platform with 6RU 19" rack rails

