



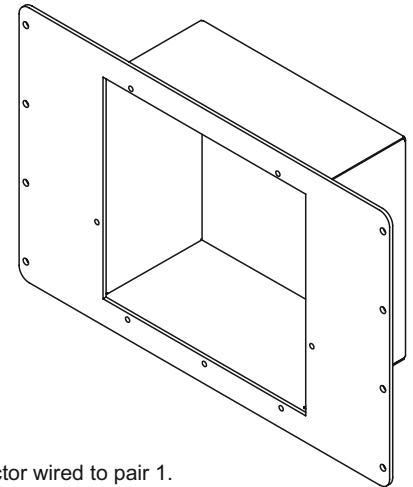
Loudspeaker Technology Ltd
 Gypsy Lane
 Aston Down
 Stroud
 Gloucestershire
 GL6 8HR
 England
 Tel: +44 (0)1285 760561
 Fax: +44 (0)1285 760683
 email: info@atc.gb.net
 web: www.atcloudspeakers.co.uk

Technical Data Sheet

Sub Amp Rack Kit

OVERVIEW

- The Sub Amp Rack Kit consists of 19"/7U mounting plate, amp enclosure, amp-to-enclosure wiring loom and O/P connector. Suitable for use with SCM0.1/12 and SCM0.1/15 active subs.
- Two product build options:
 - Kit for retro-fitting to existing amp in the field (as illustrated right).
 - Factory build, with amp as part of a new active subwoofer system (as illustrated below).
- Speaker level output via rear enclosure mounted Neutrik SpeakON NL4 chassis connector.
- NL4 - NL4 speaker cables built to order - length must be specified.
- Front face heatsink mounting allows in wall mounting in closest proximity to loudspeaker location, reducing loudspeaker cable lengths.



SPECIFICATIONS

Rack Kit (No amp)

- Audio output connector: Rear panel mounted Neutrik SpeakON NL4 chassis connector wired to pair 1. (loudspeaker cable supplied separately - lengths must be specified)
- Dimensions: 19" rack width, 7U height. See below for full details.
- Weight: 2.5kg / 5.5lbs

Rack Kit & Amp Assembly

- Output power: 400W continuous average (1% THD, 8Ω)
- Input sensitivity (both inputs driven): 1.3V/4.6dBu to 8.4V/20dBu (variable in 1dB steps, ref. 400W O/P)
- Input impedance: 10kΩ per leg
- Variable 2nd order low pass frequencies: 2kHz (wideband), 180Hz, 120Hz, 90Hz, 70Hz, 60Hz.
- Thd + noise: Better than 88dB (100HZ, 1dB below full rated power, 20kHz test bandwidth)
- Audio input connector: Stereo front panel mounted female 3-pin XLRs (balanced, pin 2 +) (Stereo inputs sum to mono)
- Dimensions: See below for full details
- Weight: TBC kg / TBC lbs

PHYSICAL DIMENSIONS

Dimensions in mm and [inches]

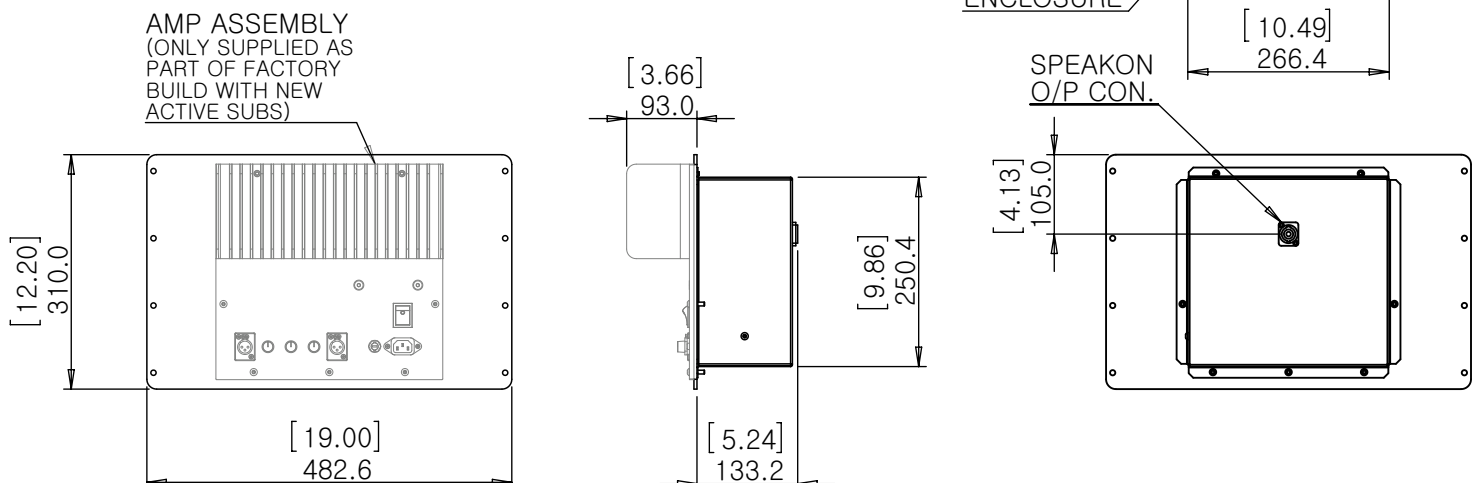
NOTES:

Illustration below shows complete amp & rack kit assembly, as supplied as a factory build with new active subs. Amp is not included with bare rack kit intended for retro-fit to existing amps in the field.

Amplifiers are convection cooled - install in a cool, well ventilated space that is also comfortable for human beings.

When rack mounting, leave a minimum of 1U rack space above AND below vertically stacked amplifiers.

Allow 185mm/7.3" clearance behind the amp for speaker cable connector + cable bend rad.



ATC reserve the right to change specifications without prior notice

Acoustic Transducer Co. Is a trading name and ATC is the registered Trade Mark of Loudspeaker Technology Ltd.